




MV2P Electric Expansion Valve

| | |
|---|--|
| <p>PWM Electric Expansion valve</p> <p>CE</p> <p>„Made in EU“</p>  | <p>Product features:</p> <ul style="list-style-type: none"> • Max. operating pressure PS: 90 bar • MOPD: up to 37 bar • Normally closed (NC) • Coil protection classe H • Seat gaskets made of PTFE • The valve can be operated with PWM controllers or refrigeration controllers with PWM output <p>Attention: Consider operating voltage</p> |
|---|--|

Technical Data

| | | | |
|--|--|--------------------------------|--|
| CE marking acc. Low Voltage Directive | 2014/35/EU | Material compatibility: | See Table 1, Mineral-, Synthetic-POE and PAG Oils |
| Pressure Range: | max. operating Pressure PS: 90 bar Test pressure PT: 99 bar | Material: | Housing: Brass CW617N Enclosing Tube: Stainless steel |
| Applicable Standards: | EN 378/-1/-2, EN 12284 | Temperature Range | R744: -50°C to 100°C, HFC/HFO -40°C – 100°C |
| Recommended Cycle Time | 6 s | Ambient Temp. | max. 50°C |
| Control Range | 10 to 100% | Protection class | IP 67 (IEC529 / EN 60529) |

Tabelle 1

| Refrigerant | Refrigerant acc. PED 2014/68 | Refrigerant acc. EN 378 | Refrigerant | Refrigerant acc. PED 2014/68 | Refrigerant acc. EN 378 |
|---|------------------------------|-------------------------|---|------------------------------|-------------------------|
| R404A R134a R448A R449A R450A R513A R744 R410A | II | A1 | R1234ze (E) R1234yf R32 R455A R454C | I | A2 |

Valve cpl. with Orifice

| Type: | P/N R744 | P/N HFC/HFO | Inlet/ Outlet | MOPD AC (bar) | MOPD DC (bar) | Nominal capacity kW | | | |
|-----------|-------------|----------------|------------------|------------------|------------------|---------------------|---------|---------|---------|
| | | | | | | R 744* | R404A** | R407A** | R410A** |
| MV2P-01 | 10 111 | 10 121 | 10x12 | 37 | 37 | 1,3 | 0,7 | 1,0 | 1,2 |
| MV2P-01-Z | 10 211 | 10 221 | 3/8"x1/2" | | | | | | |
| MV2P-02 | 10 112 | 10 122 | 10x12 | | | 2,3 | 1,1 | 1,7 | 1,8 |
| MV2P-02-Z | 10 212 | 10 222 | 3/8"x1/2" | | | | | | |
| MV2P-03 | 10 113 | 10 123 | 10x12 | | | 3,1 | 1,5 | 2,4 | 2,5 |
| MV2P-03-Z | 10 213 | 10 223 | 3/8"x1/2" | | | | | | |
| MV2P-04 | 10 114 | 10 124 | 10x12 | | | 5,7 | 2,9 | 4,4 | 4,8 |
| MV2P-04-Z | 10 214 | 10 224 | 3/8"x1/2" | | | | | | |
| MV2P-05 | 10 115 | 10 125 | 10x12 | 27 | 27 | 8,6 | 4,3 | 6,7 | 7,2 |
| MV2P-06 | 10 116 | 10 126 | | | | | | | |
| MV2P-07 | 101 17 | 10 127 | 12x16 | 18 | 16 | 26,6 | 13,3 | 20,5 | 22,2 |
| MV2P-08 | 10 118 | tbd | | | 15 | 30,6 | 15,3 | 23,6 | 25,5 |
| MV2P-09 | 10 119 | tbd | | | 14 | 33,3 | 16,6 | 25,6 | 27,7 |

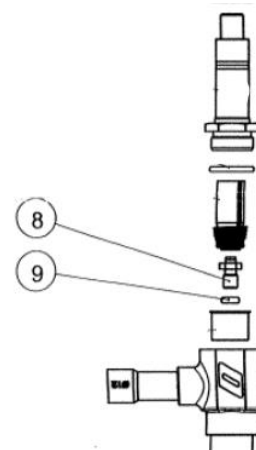
Interchangeable Orifice

| Typ: | P/N R744 | P/N HFC/HFO | Orifice #8 Gasket #9 |
|----------|-------------|----------------|-------------------------|
| MV2P-01D | 10 132 | 10 141 | 0,5mm |
| MV2P-02D | 10 133 | 10 142 | 0,7mm |
| MV2P-03D | 10 134 | 10 143 | 0,8mm |
| MV2P-04D | 10 135 | 10 144 | 1,1mm |
| MV2P-05D | 10 136 | 10 145 | 1,3mm |
| MV2P-06D | 10 137 | 10 146 | 1,7mm |
| MV2P-07D | 10 138 | 10 147 | 2,3mm |
| MV2P-08D | 10 139 | 10 148 | 2,5mm |
| MV2P-09D | 10 140 | 10 149 | 2,7mm |

*Tc=0°C, To=-10°C

** Tc=38°C, To=4°C

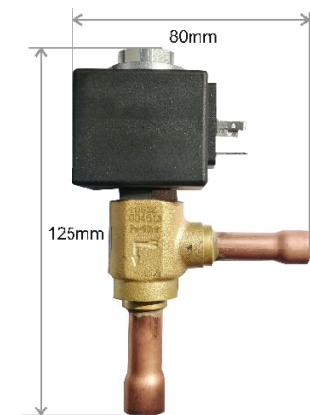
Remark: Flow of liquid refrigerant should not exceed 1m per second



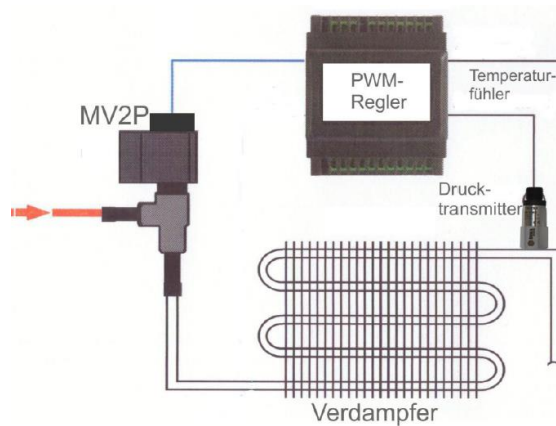
| Type* | P/N | Voltage | Voltage Tolerance | Capacity | Temperature class | ED | Plug |
|------------|-------|------------------|----------------------|----------|----------------------|-------|----------------|
| MV2P-230AC | 10130 | 220-230V-50/60Hz | +/-10% | 21VA | H | 100 % | DIN 43650-A |
| MV2P-24DC | 10131 | 24Vdc | +10/-5% | 24W | | | |

*12 Vdc on request

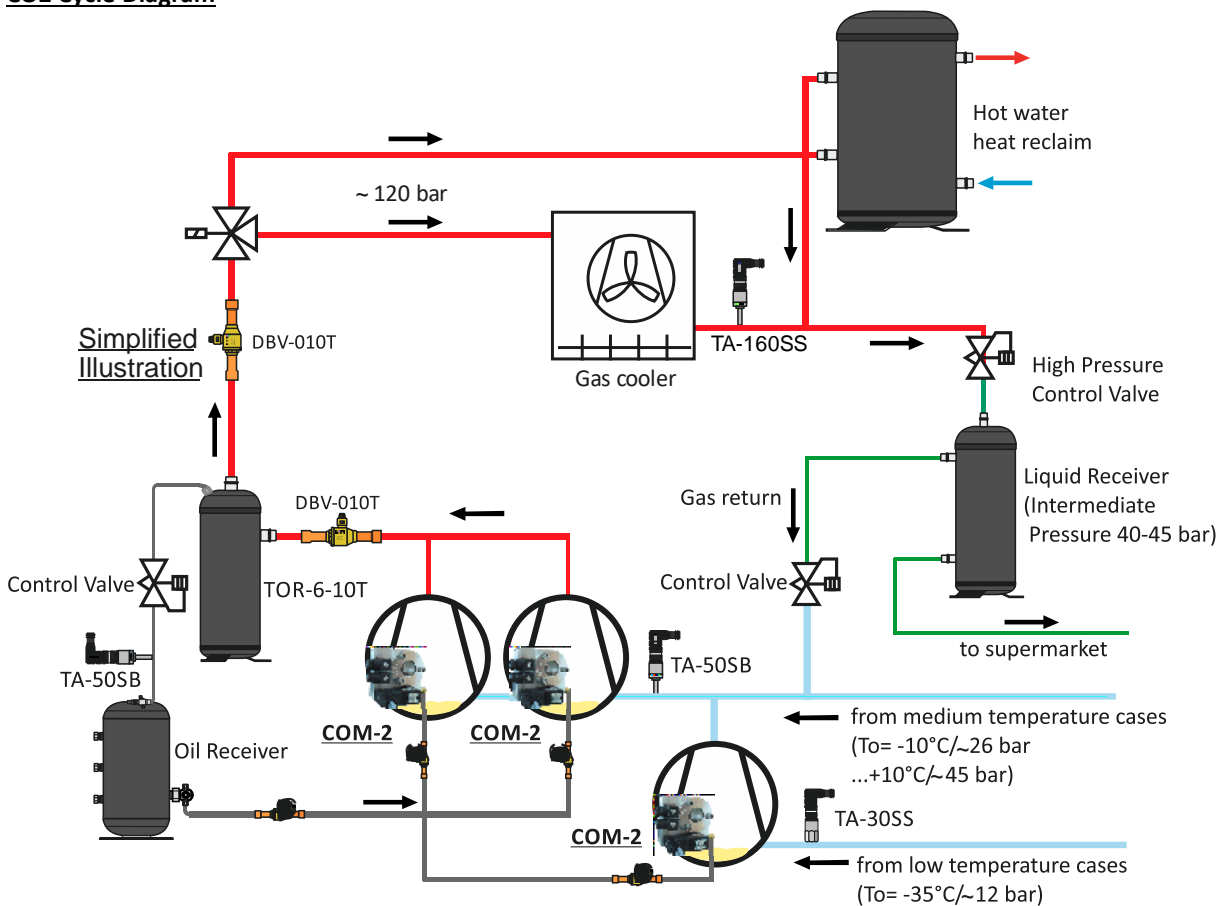
Dimension



Typical Installation



CO2 Cycle Diagram



Die in technischen und anderen Unterlagen enthaltenen Angaben sind vom Käufer vor der Anwendung zu prüfen. Der Käufer kann aus diesen Unterlagen keinerlei Ansprüche gegenüber DEKA Controls GmbH ableiten, es sei denn, dass diese vorsätzlich oder grob fahrlässig gehandelt haben. DEKA Controls GmbH behält sich das Recht vor, ohne vorherige Bekanntmachung im Rahmen des Angemessenen und Zumutbaren Änderungen an ihren Produkten – auch an in bereits in Auftrag genommenen – vorzunehmen.