



DBV – Bi-flow Ball Valves

<p><b>DBV Ball Valves</b> Compact Housing, Operating pressures up to 45 bar (R410A and CO2 subcritical applications).</p> <p>CE</p>	<p><b>Product details:</b></p> <ul style="list-style-type: none"> <li>• Optimal Flow with low pressure drop</li> <li>• Connections in metric and imperial sizes</li> <li>• CE marked acc. Pressure Equipment Directive 97/23EG</li> <li>• With threads for fastening</li> <li>• Hermetic Design</li> <li>• Valve cap sealable</li> <li>• Pressure released cap for safety reasons</li> <li>• Seat gasket: filled PTFE for low friction forces</li> <li>• Spindle sealing with O-Ring and add. Teflon gasket (reduces torque for opening/closing)</li> <li>• 100% Helium tested for ext. and int. leakage</li> <li>• Optional: Type DVB-xxxS with Schradervalue (7/16"-20 UNF)</li> </ul>
---	--

**Technical Data:**

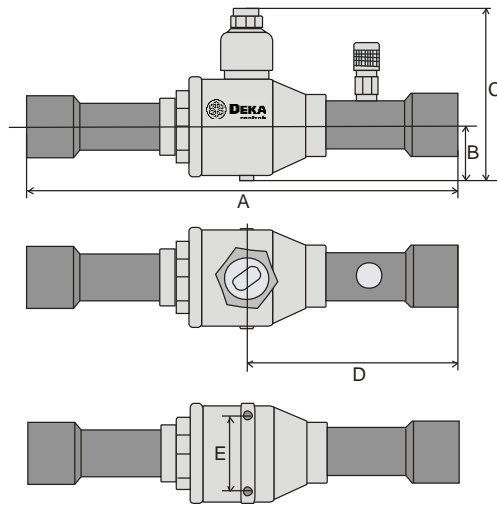
<b>CE marked acc. Pressure Equipment Directive</b>	97/23/EC	<b>Compatibility</b>	HFC, HCFC, CO2, , Mineral-, Synthetik- and POE Oil
<b>Applied Standards</b>	EN 378/-1/-2, EN12420, EN12165:2011-08, EN12735-1, EN 12284, EN1593, EN1779, EN12164	<b>Materials</b>	Housing, Cap: Brass CW617N Tube Connection: Copper CW024A Balls: Brass, chrome-plated
<b>Pressure Range:</b>	Max. operating Pressure PS: 45 bar Test Pressure: PT: 50 bar Burst pressure: 225 bar	<b>Medium Temperature:</b>	-40°C to 130°C (short term up to 150°C)



**Types**

Type w/o Schrader valve	P/N	Type with Schrader valve	P/N	Connection		PED Category	
				metric	imperial		
DBV-014	17218				1/4"	SEP Art. 3.3	
DBV-006	17200			6mm			
DBV-038	17219	DBV-038-S	17255		3/8"		
DBV-010	17203	DBV-010-S	17230	10mm			
DBV-012	17220	DBV-012-S	17245		1/2"		
DBV-012m	17204	DBV-012-Sm	17231	12mm			
DBV-015	17205	DBV-015S	17232	15mm			
DBV-016	17206	DBV-016-S	17233	16mm	5/8"		
DBV-018	17207	DBV-018-S	17234	18mm			
DBV-022	17208	DBV-022-S	17235	22mm	7/8"		
DBV-118	17222	DBV-118-S	17247		1-1/8"		
DBV-028	17209	DBV-028-S	17236	28mm			
DBV-035	17210	DBV-035-S	17237	35mm	1-3/8"		I
DBV-158	17223	DBV-158-S	17248		1-5/8"		
DBV-042	17211	DBV-042-S	17238	42mm			
DBV-054	17212	DBV-054-S	17239	54mm	2-1/8"		
DBV-258-1	17224	DBV-258-1S	17249		2-5/8"		
DBV-064-1	17213	DBV-064-1S	17240	64mm			
DBV-064-2	17214	DBV-064-2S	17241	64mm			
DBV-076	17215	DBV-076-S	17242	76mm			
DBV-089	17216	DBV-089-S	17243	89mm			
DBV-108	17217	DBV-108-S	17244	108mm		II	

**Dimensions**

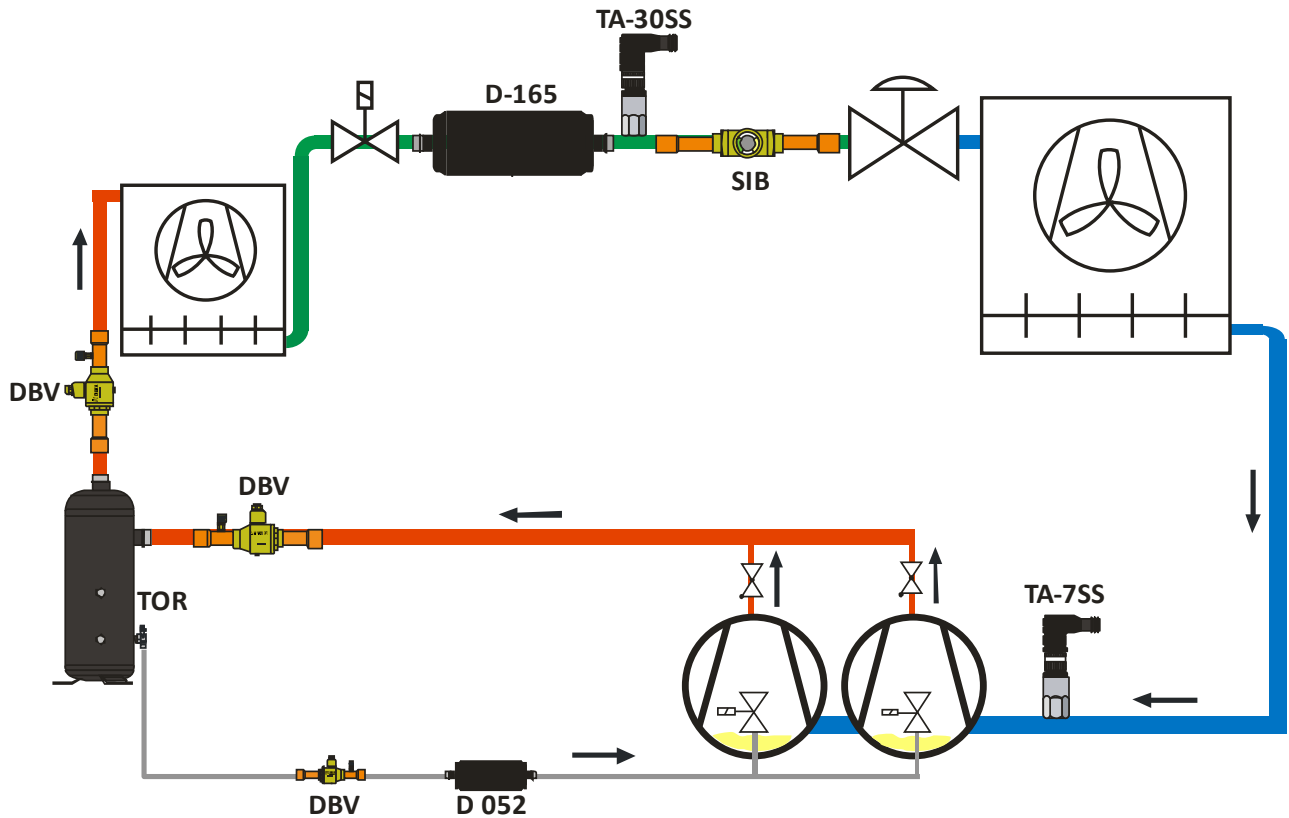


Type with Schrader-valve	Type w/o Schrader-valve	Connection		Ball opening (mm)	A	B	C	D	E	Fastening thread	Weight (kg)
		metric (mm)	imperial (inch)								
DBV-014			1/4"	10	126	13	49			M3	0,16
DBV-006		6			132	13	49	60	18		0,16
DBV-038	DBV-038S		3/8"		140	13	49	64	18		0,16
DBV-010	DBV-010S	10									0,17
DBV-012	DBV-012S		1/2"	16	146	19	61	70	28	M4	0,29
DBV-012m	DBV-012Sm	12									0,29
DBV-015	DBV-015S	15		20	185	21	72	85	30	M4	0,29
DBV-016	DBV-016S	16	5/8"								0,29
DBV-018	DBV-018S	18									0,29
DBV-022	DBV-022S	22	7/8"	25	205	26	78	97	42	M4	0,71
DBV-118	DBV-118S		1-1/8"								0,76
Type with	Type w/o	Connection		Ball							



Schrader-valve	Schrader-valve	metric (mm)	imperial (inch)	opening (mm)	A	B	C	D	E	Fastening thread	Weight (kg)
DBV-028	DBV-028S	28		25	205	26	78	97	42	M4	0,76
DBV-035	DBV-035S	35	1-3/8"	32	208	32	92	102	48		1,3
DBV-158	DBV-158S		1-5/8"	38	242	39	112	115	54		2,3
DBV-042	DBV-042S	42								M6	2,3
DBV-054	DBV-054S	54	2-1/8"		273	49	130	130	65		3,48
DBV-258	DBV-258S		2-5/8"	50	280	49	130	133	65		3,60
DBV-064-1	DBV-064-1S	64								M8	3,60
DBV-064-2	DBV-064-2S	64		62							7,0
DBV-076	DBV-076S	76		64	378	60	177	189	96		7,8
DBV-089	DBV-089S	89									12,8
DBV-108	DBV-108S	108		83	423	76	210	213	115		13,9

**Cycle Diagram with DEKA Products**



DEKA Controls will not accept responsibility for possible errors in Technical literature and other printed material. DEKA Controls reserves the right to change his products without notice. This applies also to products already on order provided that such changes can be made without sub sequential changes being necessary in specifications already agreed.