



### DLR- Liquid Receiver

<p><b>Compact Housing with an operating Pressure of 33 bar.</b></p> <p><b>CE</b></p>	<p><b>Product features:</b></p> <ul style="list-style-type: none"> <li>• Liquid Receivers, optional with Rotalockvalves or -adapters</li> <li>• CE mark acc. Pressure Equipment Directive 2014/68/EU</li> <li>• Excellent Corrosion resistance by the use of powder painting</li> <li>• Horizontal Version optional with metal plate for Compressor mounting</li> </ul>
--	---

#### Technical Data

<b>CE mark acc. PED</b>	2014/68/EU	<b>Media compatibility:</b>	See table 1, Mineral-, Synthetik- und POE and PAG Oils
<b>Pressure Range:</b>	max. operating Pressure PS: 33 bar, PT: 47,2 bar	<b>Materials:</b>	Housing: Steel, powder painted Inlet/Outlet: Steel
<b>Standards:</b>	EN 378/-1/-2, EN 14276-1, EN 1593, EN 1779	<b>Temperature-/ Pressure Ranges:</b>	33 bar: -10°C to 120°C 24,8 bar: <-10°C to -35°C

**Table 1**

Refrigerant	Group acc. PED 2014/68/EC	Group acc. EN378	Refrigerant	Group acc. PED 2014/68/EC	Group acc. EN378
R404A R134a R448A R449A R450A R513A R744	II	A1	R1234ze (E) R1234yf R32 R455A R454C R1270 R290	I	A2L      A3

#### Technical Data (V = vertical Version, H = horizontal Version)

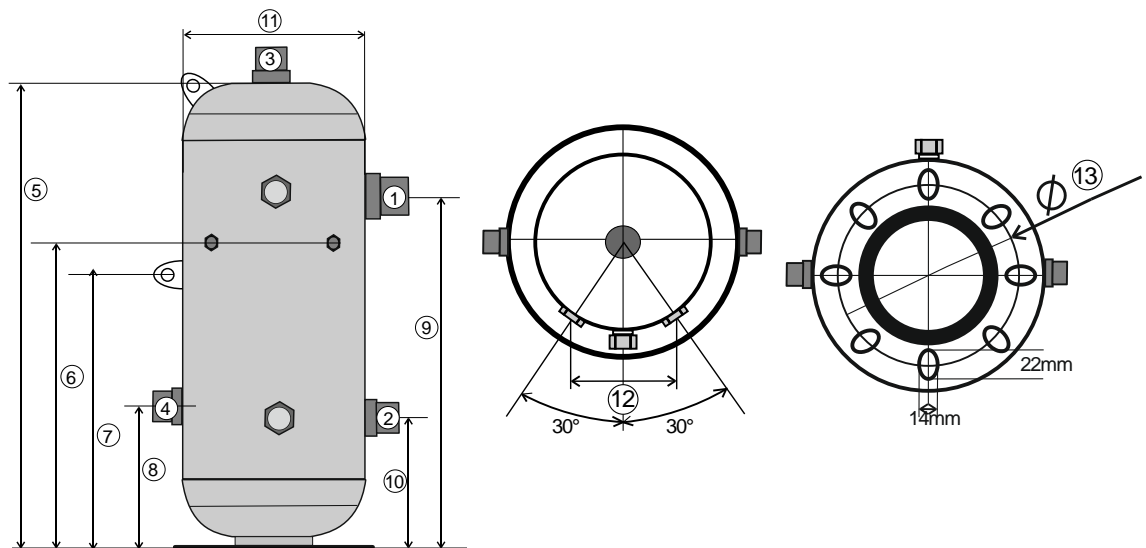
Typ	Inlet (1)	Outlet(2)	No. of Sight Glasses	Level Sensor (4) Sight Glasses	Safety Valve (3)	PED Kat.	
						Fluid II	Fluid I
DLR-_30	1-1/4"-12 UNF	1-1/4"-12UNF	2	1-1/4"-12UNF	out: 1-1/4"-12UNF In 1/2" NPTF	II	III
DLR-_40	1-3/4"-12 UN					III	IV
DLR-_50						III	
DLR-V60							
DLR-_70	2-1/4"-12UN	1-3/4"-12UN	3	IV			
DLR-_90							
DLR-_100							
DLR-_130							
DLR-_130B							
DLR-_160							
DLR-_160B							



**Dimension Vertical Version**

Type	P/N	Volume (l)	mm								
			5	6	7	8	9	10	11	12	13
DLR-V30	18150	30	612	500	-	190	462	158	273	160	230
DLR-V40	18151	40	799	550	404	190	649	158			
DLR-V50	18152	50	1041	550	525	190	832	159			
DLR-V60	18153	60	1166	550	587	233	1015	188			
DLR-V70	18154	70	1344	550	677	190	1194	158	323	171	350
DLR-V90	18155	90	1341	600	657	233	1051	263			
DLR-V100	18156	100	1223	600	727	233	1190	263	400	210	350
DLR-V130	18157	130	1892	600	933	233	1602	272			
DLR-V130B	18158	130	1223	600	596	272	919	272	323	171	288
DLR-V160	18159	160	2193	600	1083	233	1903	263			
DLR-V160B	18160	160	1477	600	722	272	1172	272	400	210	350

Picture 1

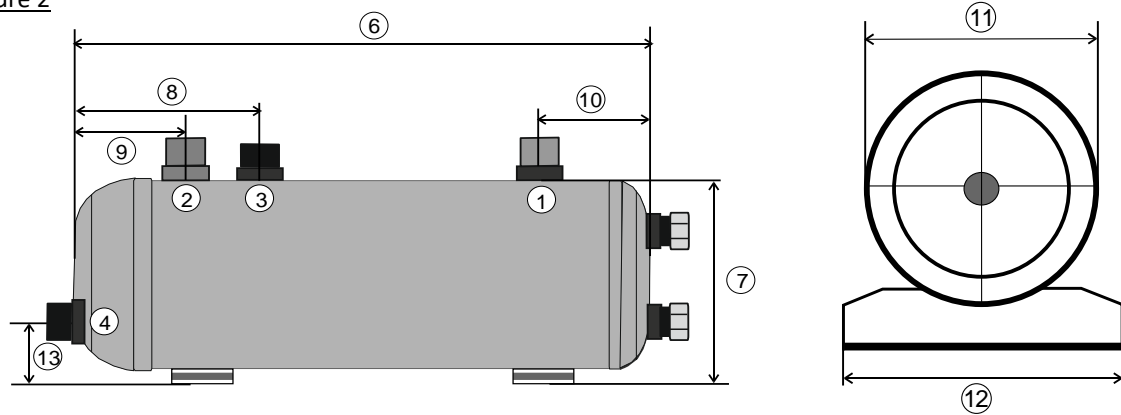


**Volume and Dimension (horizontal Version)**

Type	P/N	Volume (l)	6	7	8	9	10	11	12	13
DLR-H30	18170	30	905	253	300	150	150	219	240	78
DLR-H40	18171	40	842	307				273	260	89
DLR-H50	18172	50	1032							
DLR-H70	18173	70	1392							
DLR-H90	18174	90	1288	357	400	250	250	323	310	99
DLR-H100	18175	100	1427							
DLR-H130	18176	130	1839							
DLR-H130B	18178	130	1177	435	415	265	265	400	400	99
DLR-H160	18177	160	2239	357	400	250	250	323	310	115
DLR-H160B	18179	160	1430	435	415	265	265	400	400	99

(see Table page 1, no. 1-4)

Picture 2



**Compact version, horizontal**

Type	P/N	Volume (ltr.)	Inlet (1) Thread	Outlet (2) Thread	Sight-glass	Safety Valve (3)	Level Sensor (4)	PED Cat.	
								Fluid II	Fluid I
DLR-H7K	18057	7	1"-14UNS	1"-14UNS	1	1-1/4"-12UNF (½"NPT)	1-1/4"-12UNF (½"NPT)	II	III
DLR-H10K	18058	10	1"-14UNS	1"-14UNS					
DLR-H15K	18059	15	1-1/4"-12UNF	1"-14UNS					
DLR-H20K	18060	20	1-1/4"-12UNF	1"-14UNS	2	1-1/4"-12UNF (½"NPT)	1-1/4"-12UNF (½"NPT)	II	III
DLR-H25K	18061	25	1-1/4"-12UNF	1-1/4"-12UNF					

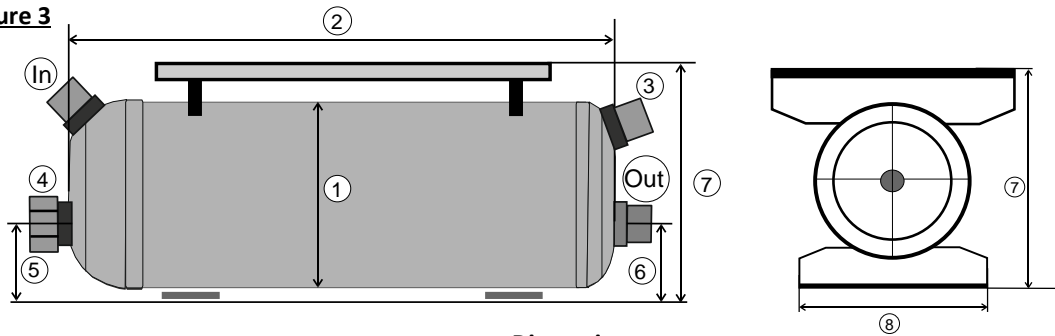
**Volume and Dimensions (see Picture 2)**

Type	P/N	6	7	8	9	10	11	12
DLR-H7K	18057	530	163	200	100	100	140	168
DLR-H10K	18058	528	191	215	115	115	168	168
DLR-H15K	18059	779	191	215	115	115	168	168
DLR-H20K	18060	615						
DLR-H25K	18061	760	253	235	135	135	212	240

**Compact version, horizontal (see picture 3), with plate for compressor installation (DLR-H\_KP pro configured for Bitzer C1, C2 and C3)**

Type	P/N	Volume (ltr.)	Inlet Thread	Outlet Thread	Sight-glas	Safety Valve (3)	PED Cat.	
							Fluid II	Fluid I
DLR-H7KP	18062	7	1"-14UNS	1"-14UNS	1	1-1/4"-12UNF (½"NPT)	II	III
DLR-H10KP	18063	10	1"-14UNS	1"-14UNS				
DLR-H15KP	18064	15	1-1/4"-12UNF	1"-14UNS				
DLR-H20KP	18065	20	1-1/4"-12UNF	1"-14UNS				
DLR-H25KP	18066	25	1-1/4"-12UNF	1-1/4"-12UNF				
DLR-H30KP	18067	30	1-1/4"-12UNF	1-1/4"-12UNF				

Picture 3



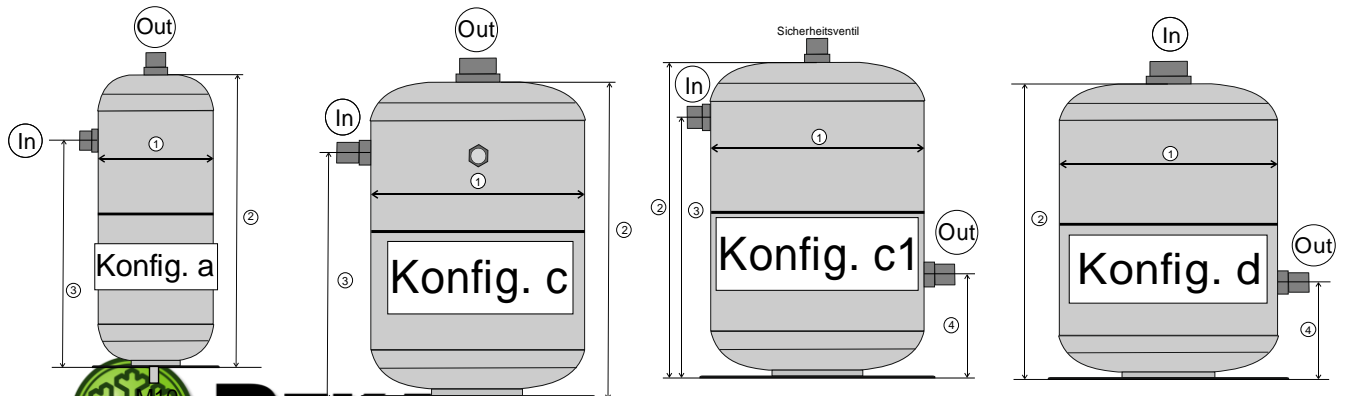
Dimensions

Type	1	2	5	6	7	8
DLR-H7KP	140	530	73	73	212	168
DLR-H10KP	168	528	107	107	240	168
DLR-H15KP	168	779	107	107	240	168
DLR-H20KP	219	615	79	144	302	240
DLR-H25KP	219	760	84			
DLR-H30KP	219	905	94			

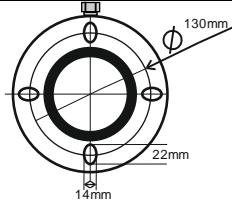
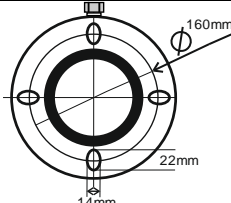
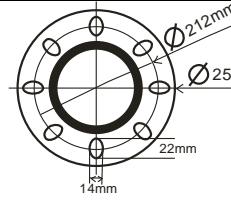
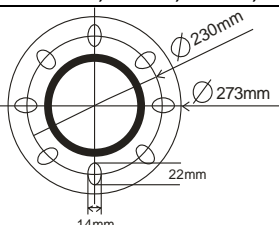
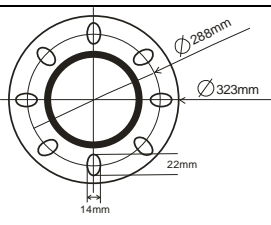
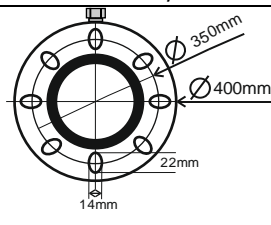
(Dimension for compressor plate see last page)

Compact version, vertikal

Type	P/N	Vol. (ltr.)	Inlet	Outlet	Sight-glas	Safety Valve	Con fig.	Dim (mm)				PED Cat.													
								1	2	3	4	Fluid II	Fluid I												
DLR-V1K	18099	1	1"-14 UNS	1"-14 UNS	./.	./.	a	101	162	98	4	SEP	SEP												
DLR-V1,5K	18098	1,5						101	226	172		I	I												
DLR-V2K	18097	2						1-1/4" -12UNF	1-1/4" -12UNF	1	./.	c	125	205	150	4	I	II							
DLR-V3K	18122	3											125	290	97										
DLR-V4K	18123	4											152	270	87										
DLR-V6K	18096	6											168	285	94										
DLR-V8K	18124	8											1-3/4" -12UN	1-3/4" -12UN	2	ja	d	195	310	84	4	II	III		
DLR-V10K	18125	10																c1	219	335				256	98
DLR-V12,5K	18095	12,5																c1	219	404				320	87
DLR-V15K	18126	15																c1	250	371				273	99
DLR-V20K	18127	20	c1	250	435	335	101																		
DLR-V25K	18128	25	c1	219	764	614	150																		
DLR-V30K	18129	30	c1	273	612	462	150																		

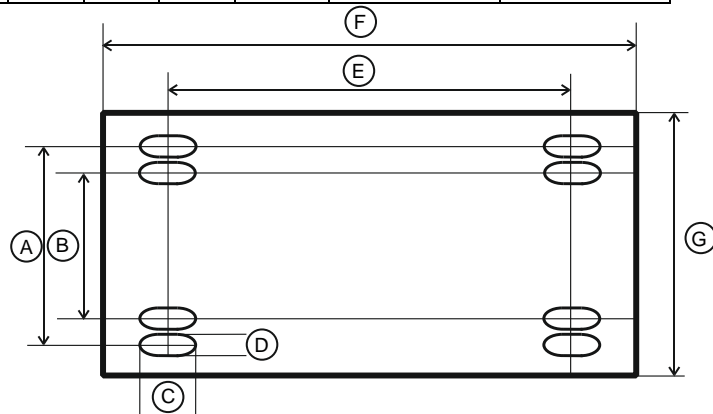


**Mounting details**

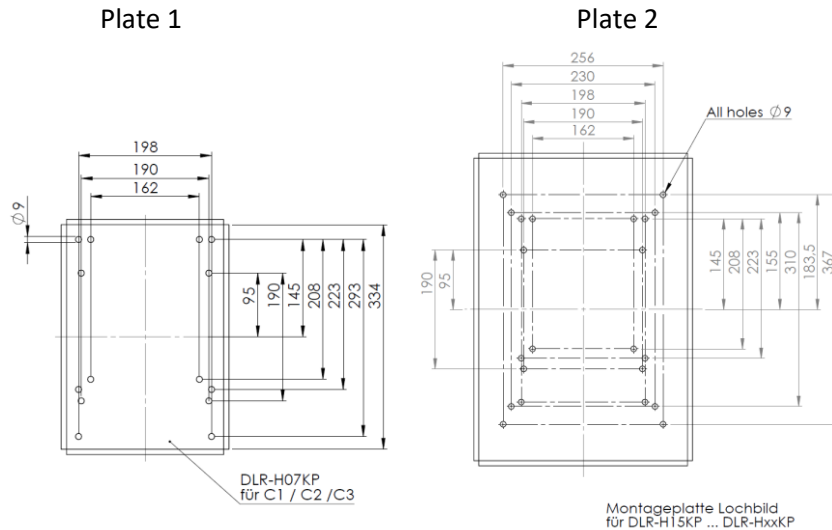
<p style="text-align: center;">DLR-V2K/V3K</p> 	<p style="text-align: center;">DLR-V4K/V6K</p> 	<p style="text-align: center;">DLR-V8K..V12,5K, -V25K</p> 
<p style="text-align: center;">DLR-V30 – 70, -V15K, -V20K, -V30K</p> 	<p style="text-align: center;">DLR-V90 – 160</p> 	<p style="text-align: center;">DLR-V130B/160B</p> 

**Hole Dimensions for horizontal Receivers**

Type	A	B	C	D	E	F (DLR-H_KP)	G (DLR-H_KP)
DLR-H30	212	180			500		
DLR-H40	212	./.	22	14	500		
DLR-H50	212				500		
DLR-H70	212				800		
DLR-H90	240				1200		
DLR-H100	240				1200		
DLR-H130	240				800		
DLR-H160	240				1000		
DLR-H130B	350				300	350	250
DLR-H160B	350				300	350	250
DLR-H7K (P*)	140				106	400	500
DLR-H10K (P*)	140	106	300	400	300		
DLR-H15K (P**)	140	106	400	500	350		
DLR-H20K (P**)	212	180	300	400	300		
DLR-H25K (P**)	212	180	400	500	350		
DLR-H30K (P**)	212	180	500	500	350		



**Hole Dimensions for the mounting plate**



**Compressor Table**

Brand	Compressor	Plate 1	Plate 2
Bitzer	2KES - 2FES-2.2(Y)	x	x
	2EES - CES-3.2(Y)	x	x
	4FES - 4CES-9.2(Y)	x	x
	4VES - 4NES.20.2(Y)		x
Bock	HG(HA)12P	x	x
	HG(HA)22e	x	x
	HG(HA)34e		x
	HG44e		x
Copeland	K-Serie	x	x
	ZB15 - ZB45, ZR18 - ZR81	x	x
	ZS21 - ZS45, ZF09 - ZF18	x	x
	ZB56 - ZB11, ZR90 - ZR19	x	x
	ZS56 - ZS11, ZF24 - ZF48	x	x

**Connection with Rotalock Valve (Gauge conn. 7/16"-20 UNF lockable)**

Type	PN	Thread	Braze Conn (ODF)
TRR-1-10	17011	1"-14 UNS	10mm
TRR-1-038	17012		3/8"
TRR-1-12	17013		12mm
TRR-1-012	17014		1/2"
TRR-1-16	17015		16mm - 5/8"
TRR114-19		1-1/4"-12 UNF	19mm
TRR114-22			22-7/8"
TRR114-28			28- 1-1/8"
TRR134-28		1-3/4"-12 UN	28- 1-1/8"
TRR134-35			35 (1-3/8")
TRR214-42		2-1/4"-12UN	42
TRR214-54			54 (2-1/8")

**Connection with Adapter**

<b>Adapter Straight</b>	<b>P/N</b>	<b>Adapter Angle</b>	<b>P/N</b>	<b>Threa</b>	<b>Braze (ODF)</b>
TAG-34-6	17040	TAW-34-6	17053	3/4"-16 UNF	6 mm
TAG-34-10	17041	TAW-34-10	17054		10 mm
TAG-1-10	17016	TAW-1-10	17021	1"-14 UNS	10mm
TAG-1-12	17018	TAW-1-12	17023		12mm
TAG-1-16	17020	TAW-1-16	17025		16mm
TAG-114-16	17045	TAW-114-16	17058	1-1/4"-12 UNF	16mm
TAG-114-22	17046	TAW-114-22	17059		22 mm
TAG-134-28	17048	TAW-134-28	17061	1-3/4"-12 UN	28 mm
TAG-134-35	17049	TAW-134-35	17062		35 mm
TAG-214-42	17051	TAW-214-42	17064	2-1/4"-12UN	42 mm
TAG-214-54	17052	TAW-214-54	17065		54 mm

DEKA Controls will not accept responsibility for possible errors in Technical literature and other printed material. DEKA Controls reserves the right to change his products without notice. This applies also to products already on order provided that such changes can be made without sub sequential changes being necessary in specifications already agreed.