




DLRH- Oil and Liquid Receiver

Compact Housing with an operating Pressure of 33 bar. 	Product features: <ul style="list-style-type: none"> • Oil- and Liquid Receivers with mounting possibility, optional with Rotalockvalves or -adapters • CE mark acc. Pressure Equipment Directive 2014/68/EU • Excellent Corrosion resistance by the use of powder painting • Horizontal Version optional with metal plate for Compressor mounting
---	---

Technical Data

CE mark acc. PED	2014/68/EU	Media compatibility:	See table 1, Mineral-, Synthetik- und POE and PAG Oils
Pressure Range:	max. operating Pressure PS: 46 bar, PT: 65,8 bar	Materials:	Housing: Steel, powder painted Inlet/Outlet: Steel
Standards:	EN 378/-1/-2, EN 14276-1, EN 1593, EN 1779	Temperature-/ Pressure Ranges:	46 bar: -10°C to 120°C 34,5 bar: <-10°C to -35°C

Table 1

Refrigerant	Group acc. PED 2014/68/EC	Group acc. EN378	Refrigerant	Group acc. PED 2014/68/EC	Group acc. EN378
R404A R134a R448A R449A R450A R513A R744	II	A1	R1234ze (E) R1234yf R32 R455A R454C	I	A2L
			R1270 R290	I	A3

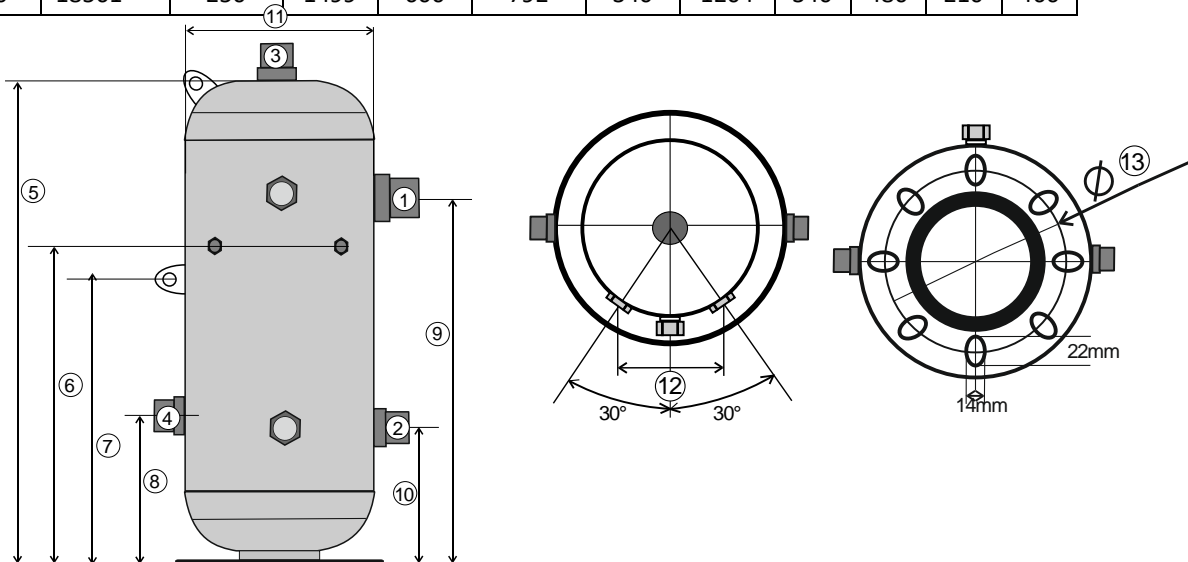
Technical Details (V = vertical Version)

Type	Inlet(1)	Outlet(2)	No. of Sight glasses	Level Sensor (4) Sight Glass Replacement Of Sight glass	Safety Valve (3)	PED Cat.	
						Fluid II	Fluid I
DLRH-V20	1-1/4" -12 UNF	1-1/4" -12UNF	1	1-1/4"-12UNF 1/2"NPT	1-1/4"-12UNF 1/2"NPT	II	III
DLRH-V25			2			III	
DLRH-V30						1-3/4" -12 UN	
DLRH-V40	2-1/4"- 12UN	1-3/4" -12 UN	IV	IV			
DLRH-V50					76mm Löt	2-1/4" "-12UN	IV
DLRH-V60	IV		IV				
DLRH-V90	IV		IV				
DLRH-V100	IV		IV				
DLRH-V130B	IV		IV				
DLRH-V160B	IV		IV				
DLRH-V250	IV		IV				

Volume and Dimension (Vertical Version, see picture 1)

Typ	P/N	Volume (ltr.)	mm								
			5	6	7	8	9	10	11	12	13
DLRH-V20	18365	20	635	./.	./.	161	475	161	219	./.	212
DLRH-V25	18366	25	779	./.	./.	161	619	161	219	./.	212
DLRH-V30	18367	30	929	500	./.	191	769	161	219	150	212
DLRH-V40	18368	40	1219	500	615	191	1059	161	219	150	212
DLRH-V50	18369	50	747	550	380	212	582	182	323	150	288
DLRH-V60	18370	60	879	550	446	212	714	182	323	150	288
DLRH-V90	18372	90	1300	600	557	233	1040	263	323	172	288
DLRH-V100	18373	100	1430	600	720	226		256	323	160	288
DLRH-V130B	18375	130	1224	600	596	272	888	272	400		350
DLRH-V160B	18377	160	1472	600	717	267	1145	267	400		350
DLRH-V250	18561	250	1499	600	792	340	1204	340	480	210	466

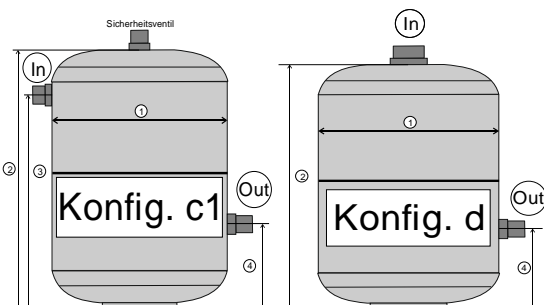
Picture 1



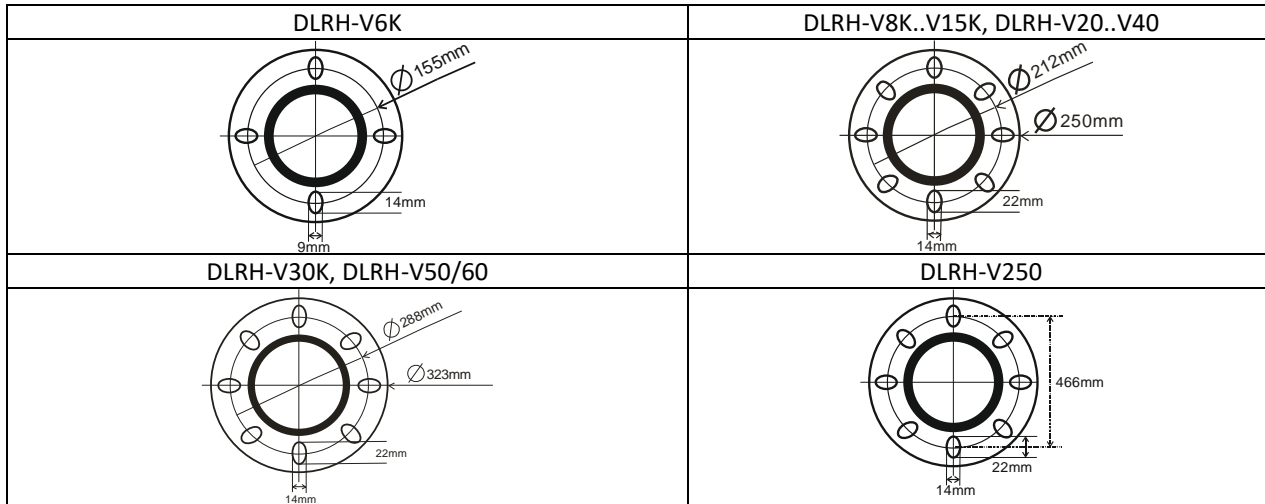
Compact Version, vertical

Type	P/N	Volume (ltr.)	Inlet	Outlet	Sight Glass	Safety Valve	PED Cat.	
							Fluid II	Fluid I
DLRH-V6K	18356	6	1"-14 UNS	1"-14UNS	1	./.	II	III
DLRH-V8K	18524	8						
DLRH-V10K	18363	10						
DLRH-V12,5K	18364	12,5	1-1/4"-12UNF	1"-14UNS	2	1-1/4"-12UNF-1/2" NPT	III	IV
DLRH-V15K	18329	15						
DLRH-V30K	18529	30	1-3/4"-12UN	1-1/4"-12UNF				

Type	Volume (ltr.)	Con-fig.	Dimension (mm)			
			1	2	3	4
DLRH-V6K	6	d	168	297		114
DLRH-V8K	8	d		287		114
DLRH-V10K	10	c1	219	327	197	135
DLRH-V12,5K	12,5	c1		405	265	145
DLRH-V15K	15	c1		495	365	135
DLRH-V30K	30	c1	323	483	315	182



Assembly Details



Rotalockvalves with Schrader conn. (lockable 7/16"-20 UNF)

Type	PN	Thread	Braze Conn.ODF)
TRR-1-10	17011	1"-14 UNS	10mm
TRR-1-12	17013		12mm
TRR-1-16	17015		16mm
TRR114-16	17030	1-1/4"-12 UNF	16mm
TRR114-22	17031		22 mm
TRR134-28	17033	1-3/4"-12 UN	28 mm
TRR134-35	17034		35 mm
TRR214-42	17036	2-1/4"-12UN	42 mm
TRR214-54	17037		54 mm

Adapter connection

Adapter Straight	P/N	Adapter Angle	P/N	Thread	Braze conn. (ODF)
TAG-34-6	17040	TAW-34-6	17053	3/4"-16 UNF	6 mm
TAG-34-10	17041	TAW-34-10	17054		10 mm
TAG-1-10	17016	TAW-1-10	17021	1"-14 UNS	10mm
TAG-1-12	17018	TAW-1-12	17023		12mm
TAG-1-16	17020	TAW-1-16	17025		16mm
TAG-114-16	17045	TAW-114-16	17058	1-1/4"-12 UNF	16mm
TAG-114-22	17046	TAW-114-22	17059		22 mm
TAG-134-28	17048	TAW-134-28	17061	1-3/4"-12 UN	28 mm
TAG-134-35	17049	TAW-134-35	17062		35 mm
TAG-214-42	17051	TAW-214-42	17064	2-1/4"-12UN	42 mm
TAG-214-54	17052	TAW-214-54	17065		54 mm

DEKA Controls will not accept responsibility for possible errors in Technical literature and other printed material. DEKA Controls reserves the right to change his products without notice. This applies also to products already on order provided that such changes can be made without sub sequential changes being necessary in specifications already agreed.