



DLSV – Safety Valve
Setting up to 120 bar

Technisical Data:

CE according Pressure Equipment Directive	2014/68/EU	Released Media	CO2 and Refrigerants in Table 1, Synthetik-, POE- and PAG Oil
Applicable Standards	EN 378-2, EN 4126-1, EN 13136	Material	Housing, Brass CW617N
Setting Range:	Max. Betriebsdruck PS: bis zu 150 bar	Other Standards	RoHS 2002/96/EC
Medium Temperature Range:	-40°C bis 150°C		

Typen

Type	P/N	Setting(bar)	Inlet	Outlet	Seat Diameter (mm)	PED Cat.	Module
DLSV-14-012-30	15000	30	½" NPT male	G1"	13,5	IV	H1
DLSV-14-012-45	15001	45					
DLSV-14-012-60	15002	60					
DLSV-10-012-90	15004	90		G 1-1/4"	10		
DLSV-10-012-120	15003	120					

Other Settings and connections on request

Type	P/N	Setting(bar)	Housing	Flowrate CO ₂ kg/h	K _{dr}	PN	Weight (g)
DLSV-14-012-30	15000	PTFE	Brass	see Diagram page 2	0,86	60	740
DLSV-14-012-45	15001						
DLSV-14-012-60	15002						
DLSV-10-012-90	15004	PEEK				100	1030
DLSV-10-012-120	15003					150	1430

Changeover Valve

Type	P/N	Inlet	Outlet				
DLSW-034-012	15050	¾" male	½" NPT female				

Dimension

Type	P/N	A	B	C	D
DLSV-14-012-30	15000				
DLSV-14-012-45	15001	134	33	49	SW30
DLSV-14-012-60	15002				
DLSV-10-012-90	15004	106	31	42	
DLSV-10-012-120	15003	168	40	59	SW40

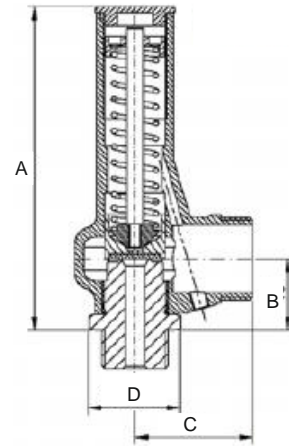
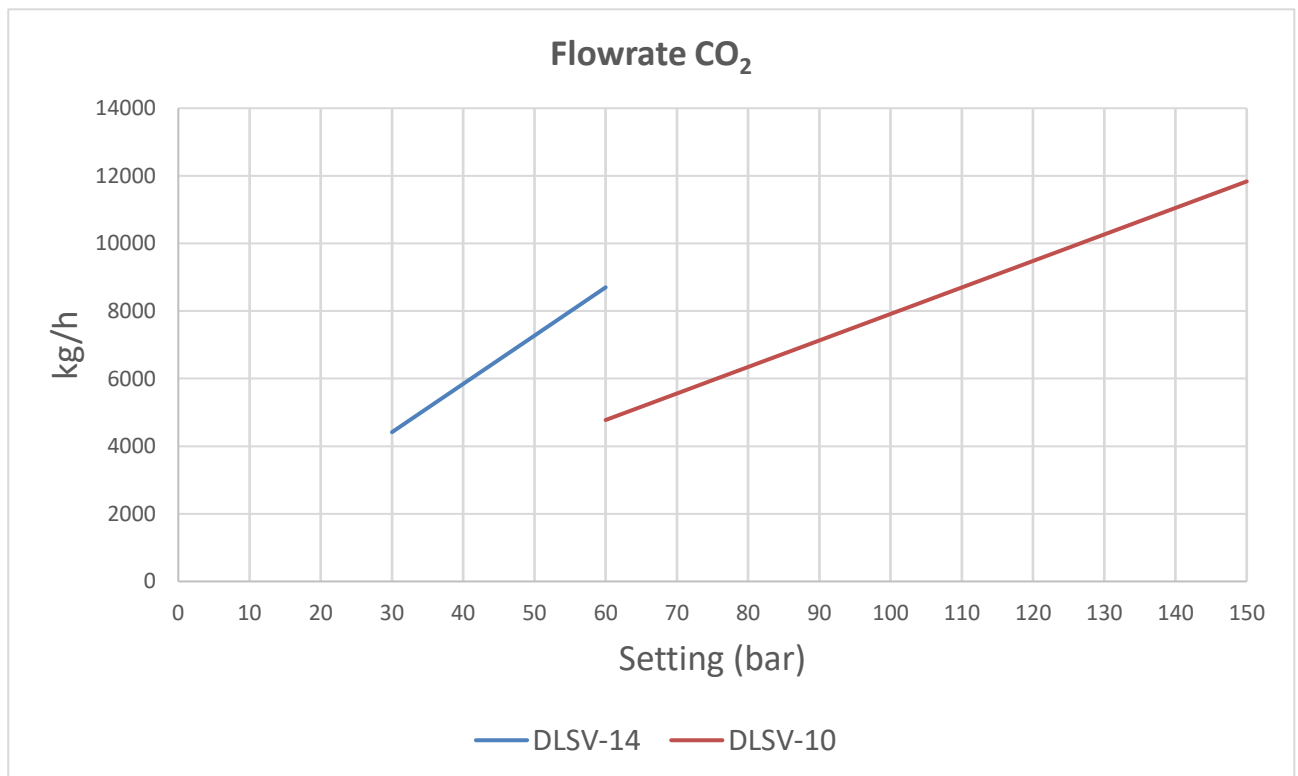
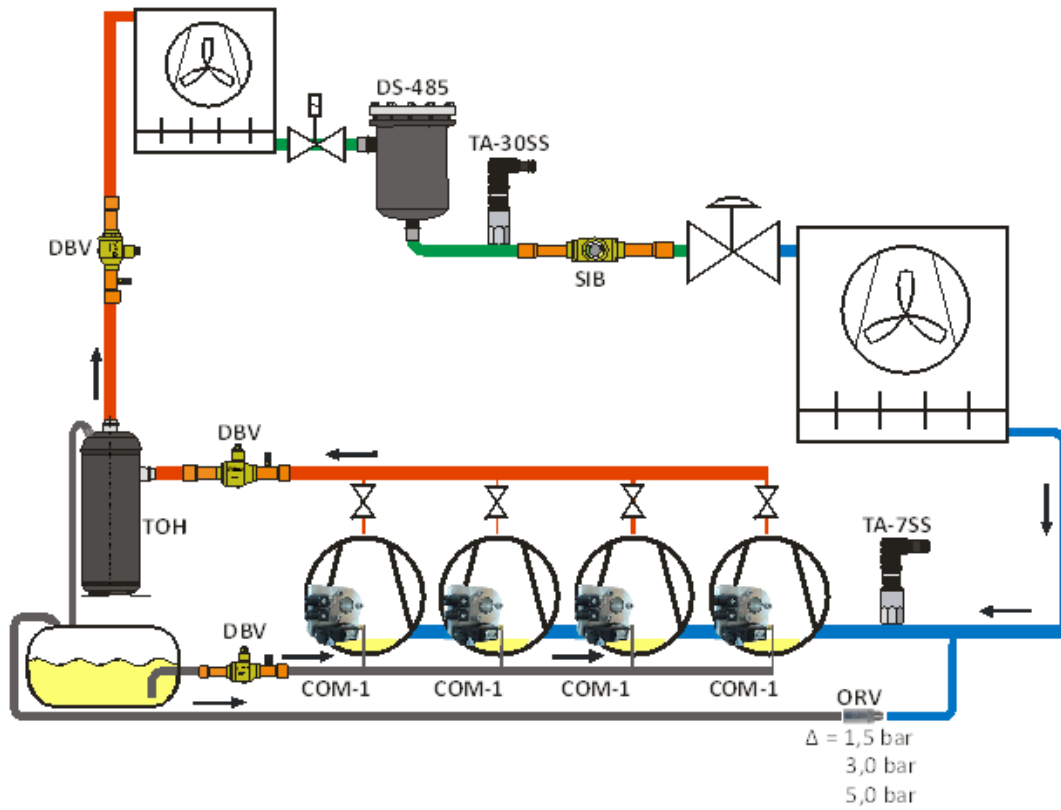


Table 1

Refrigerant	Group acc. PED 2014/68/EC	Group acc. EN378	Refrigerant	Group acc. PED 2014/68/EC	Group acc. EN378
R404A R134a R448A R449A R450A R513A R744	II	A1	R1234ze (E) R1234yf R32 R455A R454C	I	A2L
			R1270 R290	I	A3



Cycle Diagramm with DEKA Products



DEKA Controls will not accept responsibility for possible errors in Technical literature and other printed material. DEKA Controls reserves the right to change his products without notice. This applies also to products already on order provided that such changes can be made without sub sequential changes being necessary in specifications already agreed.