



### DRVS/A Non return Valve

<b>Compact housing, rated for pressures up to 46 bar.</b>	<b>Product Features:</b> <ul style="list-style-type: none"> <li>• Rückschlagventil für Drücke bis 46 bar</li> <li>• Product acc. Pressure Equipment Directive 2014/68/EU</li> <li>• Damped Version to avoid pulsation</li> <li>• Low Pressure drop</li> <li>• Tight seat sealing</li> <li>• Straight or Angle Design</li> </ul>
---	---

#### Technical Data

<b>CE Conformity acc. PED</b>	2014/68/EU (Art. 4.3)	<b>Suitable for Media:</b>	see Table 1, Mineral-, Synthetic- and POE, PAG Oil
<b>Pressure Range:</b>	max. oper. Pressure PS: 46 bar Testpressure PT: 50,6 bar Delta p: 0,05/0,04 bar	<b>Material:</b>	Housing: Brass Inlet/Outlet: Copper conn.
<b>Applicable Standards:</b>	EN 378/-1/-2, EN 12284, EN 12420, EN 12165	<b>Temperature Range:</b>	-40°C bis 140°C

**Table 1**

Refrigerant	Group acc. PED 2014/68/EC	Group acc. EN378	Refrigerant	Group acc. PED 2014/68/EC	Group acc. EN378
R404A R134a R448A R449A R450A R513A R744	II	A1	R1234ze (E) R1234yf R32 R455A R454C	I	A2L
			R1270 R290	I	A3

*Other Refrigerants upon request*

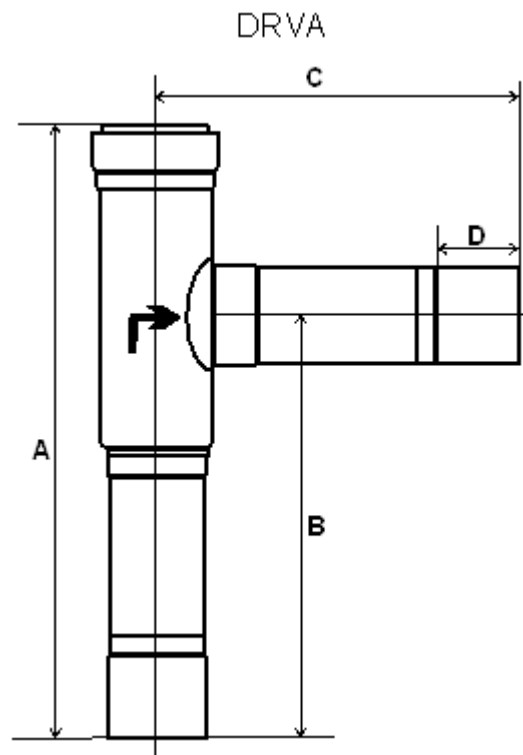
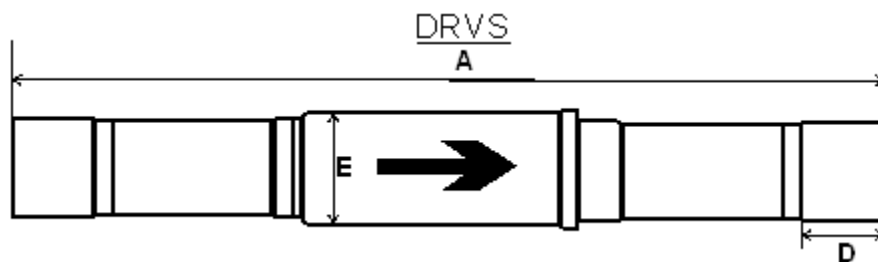
#### Technical Details

Type	P/N	Inlet Outlet	Kv-Value	Delta p	Design	PED Category	
						Fluid II	Fluid I
DRVS-10-2	13011	10mm	1,4	0,05	Straight	n.a.	n.a.
DRVS-12	13013	12mm	2,1				
DRVS-16	13009	16mm	3,9				
DRVS-22	13010	22mm	5,5	0,04	Angle	n.a.	n.a.
DRVA-22	13008	22mm	8,5				

*Other Dimensions and Capacities upon request*

### Dimensions

		A	B	C	D	E
DRVS-10-2	13011	110			8	18
DRVS-12	13013	110			10	18
DRVS-16	13009	140			13	28
DRVS-22	13010	165			17	34
DRVA-22	13008	154	107	102	17	



DEKA Controls will not accept responsibility for possible errors in Technical literature and other printed material. DEKA Controls reserves the right to change his products without notice. This applies also to products already on order provided that such changes can be made without sub sequential changes being necessary in specifications already agreed.